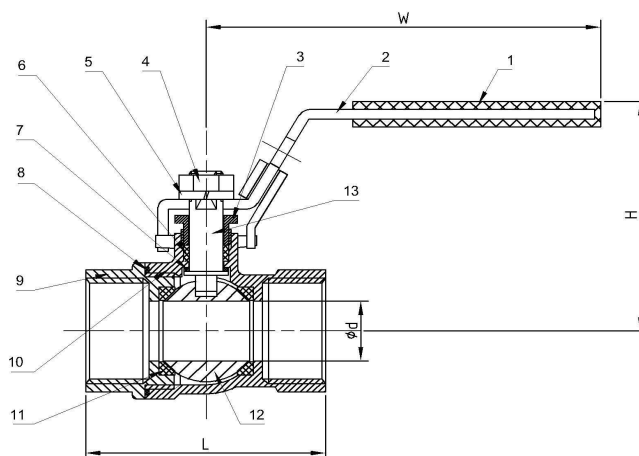




Cangzhou Changyuan Fittings Co.,Ltd

Add:No.26 Shigang Road,Development Zone,Cangzhou ,Hebei,China

[Http://www.con-well.com](http://www.con-well.com) email:con-well@vip.163.com



2PC BALL VALVE TYPE I, FULL PORT (mm)

DN	G	d	L	H	W	Unit weight(KG)	Qty/Carton
15	1/2"	15.0	54.0	48.0	103.0		
20	3/4"	20.0	58.0	51.0	125.0		
25	1"	25.0	73.0	63.0	125.0		
32	1 1/4"	32.0	84.0	78.0	155.0		
40	1 1/2"	38.0	92.0	82.0	155.0		
50	2"	50.0	115.0	99.0	187.0		

MATERIAL LIST

ITEM	DESIGNATION	MATERIAL
1	PLASTIC COVER	PLASTIC
2	HANDLE	304/201
3	GLAND NUT	304
4	STEM NUT	304
5	THRUST WASHER	304
6	STEM PACKING	PTFE
7	STEM SEAL	PTFE
8	BODY SEAL	PTFE
9	CAP	CF8/CF8M
10	BODY	CF8/CF8M
11	BALL SEAT	RPTFE
12	BALL	304/316
13	STEM	304

FEATURES:

- Handle with lock can be choiced.
- Working pressure:1000PSI(PN64).
- Working temperature:-10℃ to 150℃.
- Suitable medium:W.O.G.
- Thread: BSP,BSPT,DIN,NPT.
- PED97/23/EC(CE0038)Approved.
- Inspection Testing:API598,EN12266.
- Size of carton:28.5×25.5×18.5cm.
- Size of carton for size 4":44.5×28×19.50cm.